

## Submersible pumps

 Sewage water

 Domestic use

 Civil use



### PERFORMANCE RANGE

- Flow rate up to **400 l/min** (24 m<sup>3</sup>/h)
- Head up to **13 m**

### APPLICATION LIMITS

- **5 m** maximum immersion depth (with a sufficiently long power cable)
- Maximum liquid temperature **+40 °C**
- Passage of solids:
  - up to **Ø 30 mm** for ZXm 2/30
  - up to **Ø 40 mm** for ZXm 2/40
- Minimum immersion depth for continuous service:
  - **265 mm** for ZXm 2/30
  - **275 mm** for ZXm 2/40

### CONSTRUCTION AND SAFETY STANDARDS

The pumps are complete with:

- **5 m** long power cable
- float switch
- kose connection Ø 50 mm

EN 60335-1  
IEC 60335-1  
CEI 61-150

EN 60034-1  
IEC 60034-1  
CEI 2-3



### INSTALLATION AND USE

**ZX2** series pumps are suitable for draining **dirty water** in domestic and civil applications and for pumping dirty water containing suspended solids up to Ø 40 mm. They distinguish themselves for the ease with which they are installed and their reliability under automatic operating conditions in fixed installations.

### PATENTS - TRADE MARKS - MODELS

- Patent n. EP2313658
- Patent n. IT0001428923

### OPTIONS AVAILABLE ON REQUEST

- Pumps with a **10 m** long power cable.
  - ➔ N.B.: Standard EN 60335-2-41 states that the power cable must be 10 m long for outdoor applications
- Single-phase pumps without float switch
- Other voltages or 60 Hz frequency

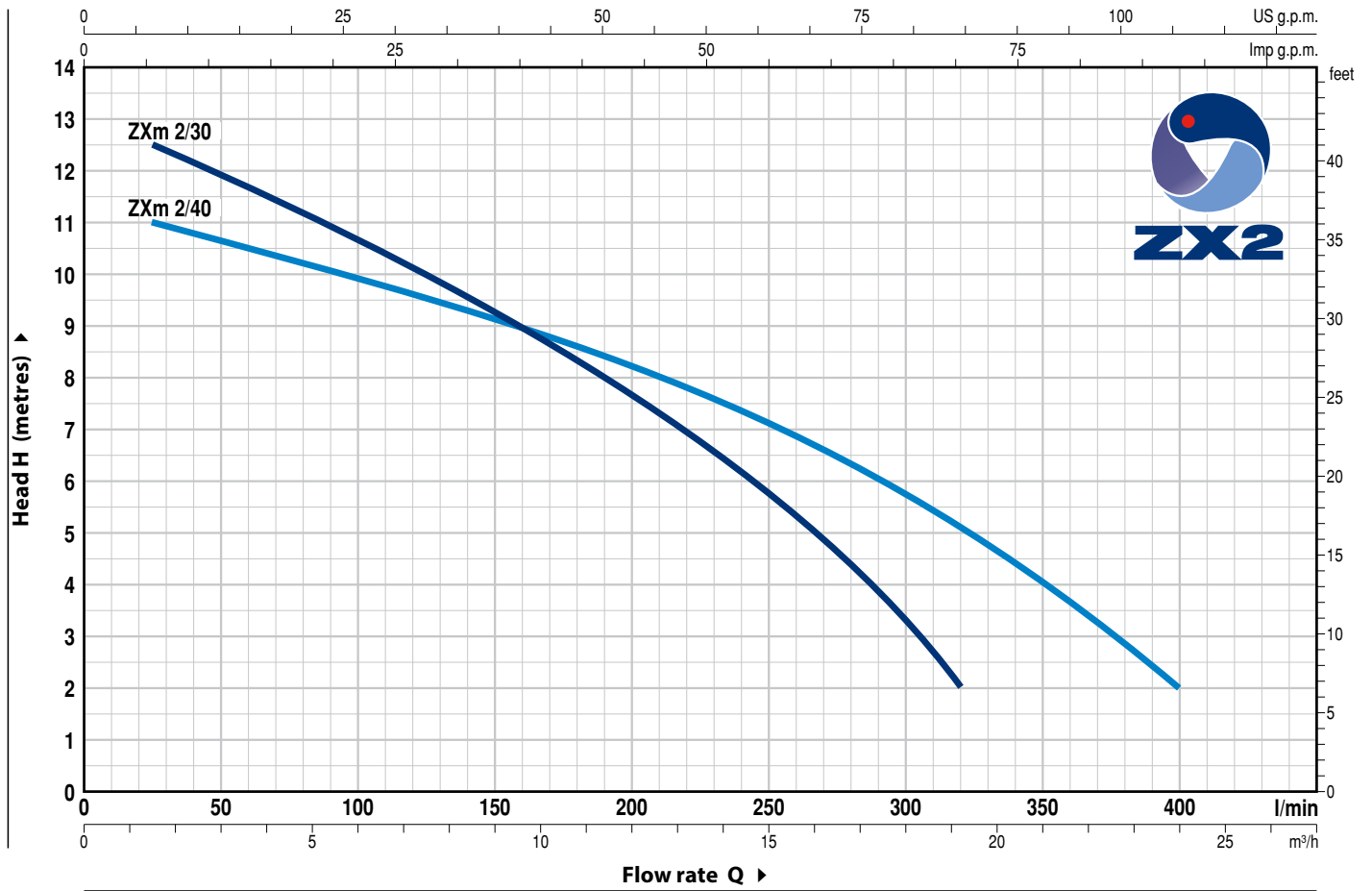
### CERTIFICATIONS

Company with management system certified DNV ISO 9001: QUALITY



**CHARACTERISTIC CURVES AND PERFORMANCE DATA**

50 Hz n= 2900 min<sup>-1</sup>

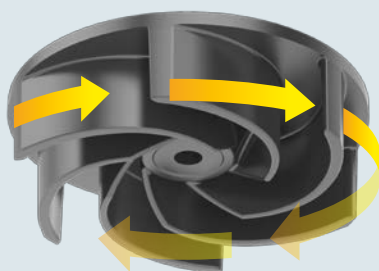


MODEL	POWER (P <sub>2</sub> )		Q	Flow rate													
	kW	HP		m <sup>3</sup> /h	0	1.5	3	6	9	12	15	18	19.2	21	24		
Single-phase				0	25	50	100	150	200	250	300	320	350	400			
ZXm 2/30	0.55	0.75	H metres	13	12.5	11.8	10.6	9.3	7.6	5.8	3.3	2					
ZXm 2/40	0.55	0.75	H metres	11.5	11	10.6	9.8	9.2	8.2	7.2	5.7	5.2	4	2			

Q = Flow rate H = Total manometric head

Tolerance of characteristic curves in compliance with EN ISO 9906 Grade 3B.

**VORTEX IMPELLER**



## POS. COMPONENT CONSTRUCTION CHARACTERISTICS

1	<b>PUMP BODY</b>	Glass fibre reinforced technopolymer complete with threaded delivery port in compliance with ISO 228/1 (5 years guarantee)
2	<b>BASE</b>	Glass fibre reinforced technopolymer
3	<b>IMPELLER</b>	Glass fibre reinforced technopolymer VORTEX type
4	<b>MOTOR CASING</b>	Stainless steel AISI 304
5	<b>MOTOR CASING PLATE</b>	Stainless steel AISI 304
6	<b>MOTOR SHAFT</b>	Stainless steel AISI 431

### 7 SHAFT WITH DOUBLE MECHANICAL SEAL SEPARATED BY AN OIL CHAMBER

Seal Model	Shaft Diameter	Position	Materials		
			Stationary ring	Rotational ring	Elastomer
MG1-14D SIC	Ø 14 mm	Motor side	Silicon carbide	Graphite	NBR
		Pump side	Silicon carbide	Silicon carbide	NBR

### 8 BEARINGS 6203 ZZ / 6203 ZZ

### 9 CAPACITOR

**Capacitance**  
(230 V or 240 V)

20 µF 450 VL

### 10 ELECTRIC MOTOR

**ZXm 2:** single-phase 230 V - 50 Hz  
with thermal overload protector incorporated into the winding

- Insulation: class F
- Protection: IP X8

### 11 POWER CABLE

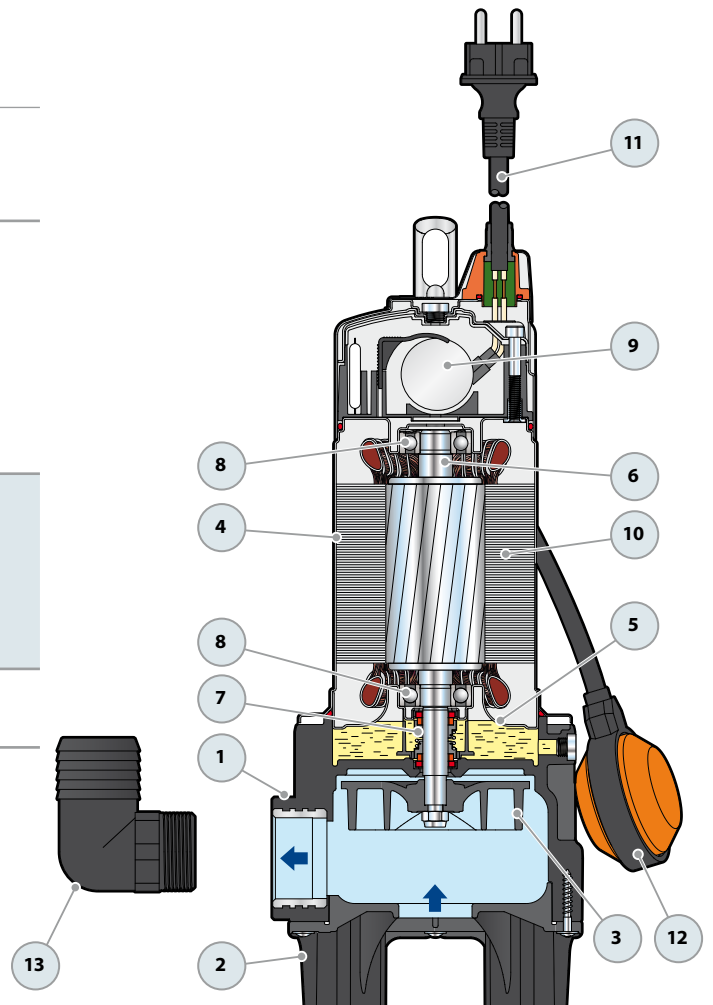
"H07 RN-F" type  
(with Schuko plug for single-phase versions only)

**Standard length 5 metres**

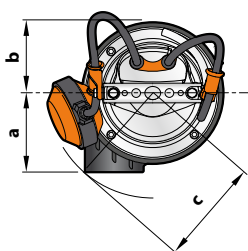
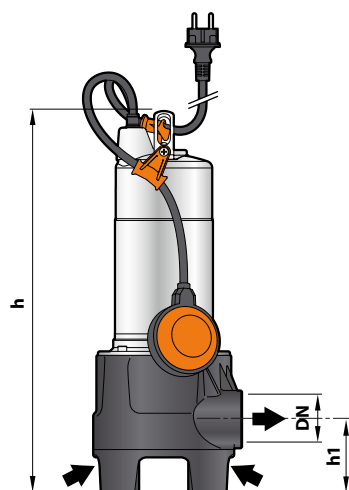
### 12 FLOAT SWITCH

### 13 HOSE CONNECTION

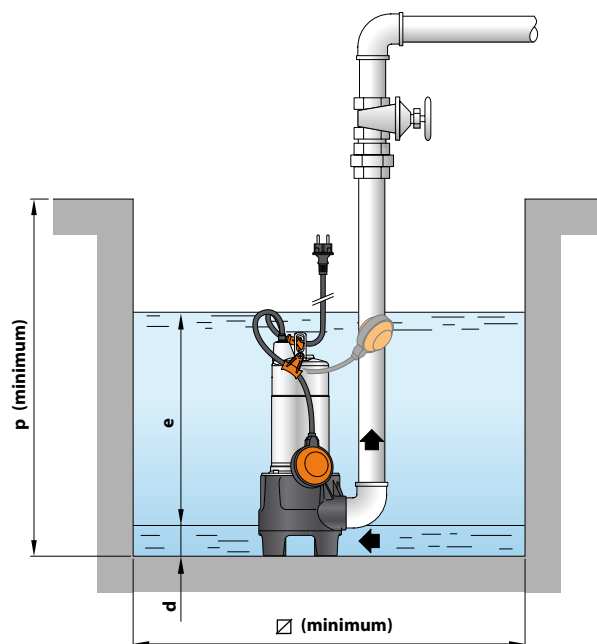
Ø 50 mm



## DIMENSIONS AND WEIGHT



### Standard installation



MODEL	PORT DN	Passage of solids	DIMENSIONS mm									kg 1~
			a	b	c	h	h1	d	e	p	∅	
ZXm 2/30	1½"	∅ 30 mm	90	81	118	412	73	50	variable	500	500	10.8
ZXm 2/40		∅ 40 mm				422	83					

## ABSORPTION

MODEL	VOLTAGE	
	230 V	240 V
ZXm 2/30	4.0 A	4.0 A
ZXm 2/40	4.0 A	3.8 A

## PALLETIZATION

MODEL	GROUPAGE
Single-phase	n. pumps
ZXm 2/30	54
ZXm 2/40	54